



ACO Freestyle gratings  
for Multiline channels

Freestyle design gratings 2022



## ACO Freestyle gratings for Multiline channels

For thousands of years people all over the world have been fascinated by the red-hot iron and the molded honest, heavy products. Architects lend their buildings value, durability and elegance through the use of steel and iron. In architecture, small installations such as curbs, manhole covers and last but not least drainage solutions determine the overall impression of large areas.

Cast iron in the right place. ACO Freestyle.



### Freestyle – the 3 options

Depending on your project status, select products from stock, from our design catalog (usual delivery time 2-3 months) or create your own design starting with a minimum volume of 100 meters. (For smaller orders surcharge at least 20%)

**Customized**  
your own drawing,  
your company logo



2

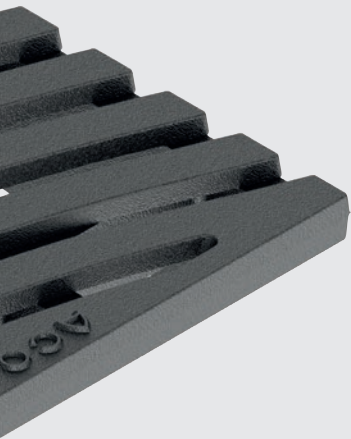
## Designer

chose from  
our catalogue

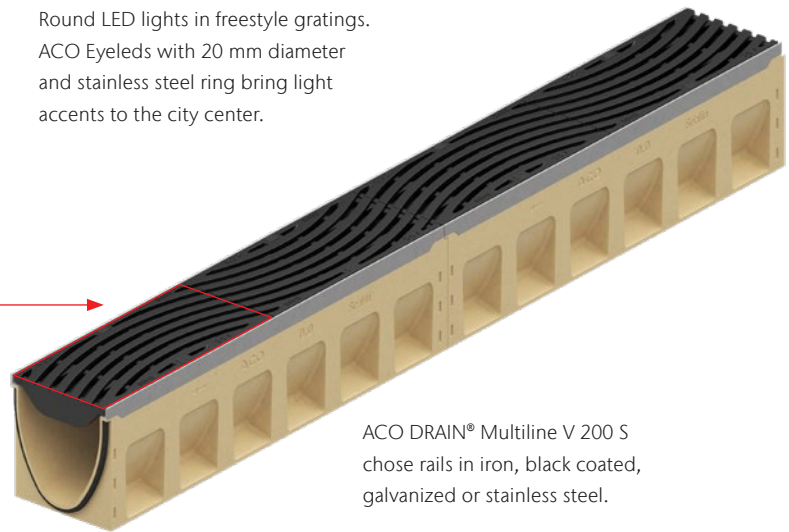
**In stock**

eight available patterns

Dimension	Coating	Price [EUR]
V 100	black coated	
V 150	black coated	
V 200	black coated	
V 300	black coated	
V 100	CDP	
V 150	CDP	
V 200	CDP	
V 300	CDP	



A possibility with special effect:  
Round LED lights in freestyle gratings.  
ACO Eyeleds with 20 mm diameter  
and stainless steel ring bring light  
accents to the city center.



ACO DRAIN® Multiline V 200 S  
chase rails in iron, black coated,  
galvanized or stainless steel.






Freestyle gratings require  
ACO channels with a  
minimum height of 155 mm  
(standard height).

- load class D400 defined in DIN EN 1433
- ACO Freestyle gratings are available for ACO channel systems in the dimensions V 100, V 150, V 200 and V 300
- material: ductile cast iron EN-GJS-500-7
- coating: black waterbased color or CDP coating
- ACO Drainlock locking system
- customized design from 200 pieces

# In stock

## In stock gratings

- Quantities in stock available for small projects
- missing sizes can be developed

	Freestyle grating [0,5 m]	Dimension	Coating	Load class	Art.no.	Price [EUR]
<b>NEW</b>	<b>Harmony</b>					
		V 100	black coated	D 400	132135	
		V 150	black coated	D 400	132174	
		V 200	black coated	D 400	132176	
		V 300	–	–	–	
<b>NEW</b>	<b>Voronoï</b>					
		V 100	black coated	D 400	132138	
		V 150	black coated	D 400	132139	
		V 200	–	–	–	
		V 300	–	–	–	
	<b>Flag</b>					
		V 100	black coated	D 400	132042	
		V 150	black coated	D 400	132045	
		V 200	black coated	D 400	132041	
		V 300	black coated	D 400	132046	
4	<b>Leaf</b>					
		V 100	black coated	D 400	132043	
		V 150	black coated	D 400	132066	
		V 200	black coated	D 400	132129	
		V 300	–	–	–	
	<b>Ray</b>					
		V 100	black coated	D 400	132088	
		V 150	black coated	D 400	132109	
		V 200	black coated	D 400	132090	
		V 300	–	–	–	

Freestyle grating [0,5 m]	Dimension	Coating	Load class	Art.no.	Price [EUR]
<b>Square</b>					
	V 100	black coated	D 400	132082	
	V 150	black coated	D 400	132077	
	V 200	black coated	D 400	132064	
	V 300	black coated	D 400	132161	
<b>Nature</b>					
	V 100	black coated	D 400	132060	
	V 100	CDP	D 400	132095	
	V 100	CDP	C 250	132096	
	V 150	black coated	D 400	132106	
	V 150	CDP	D 400	132093	
	V 150	CDP	C 250	132094	
<b>Industrial Microgrip</b>					
	V 100	–	–	–	
	V 150	black coated	D 400	132518	
	V 200	black coated	–	–	
	V 300	–	–	–	

- in stock products are available for small projects from stock. Orders from 700 pieces can not be canceled after the start of production



ACO DRAIN® PowerDrain V 100 G  
with freestyle gratings 'Nature'

# Designer

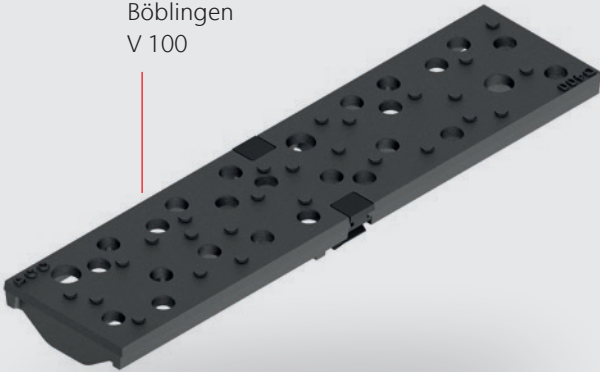
## Available 'made to order'-designs

Architectural features such as entrances, promenades, courtyards and landscaped areas, can all have their appearance significantly enhanced through the creative use of ACO Freestyle gratings.

Design gratings available 'made to order' with a minimum of 50 pc.



Böblingen  
V 100

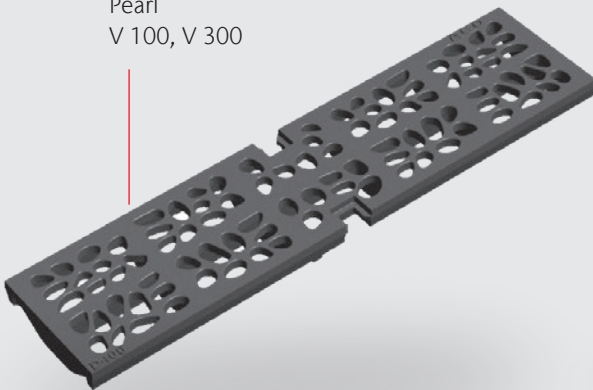


Wave 180  
V 100, 150, 200, 300

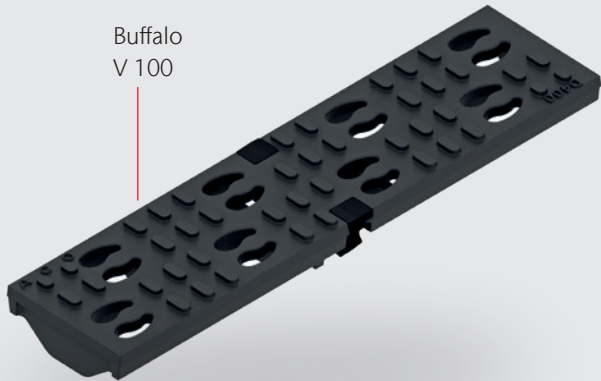


**NEW**  
gratings can be turned 180°

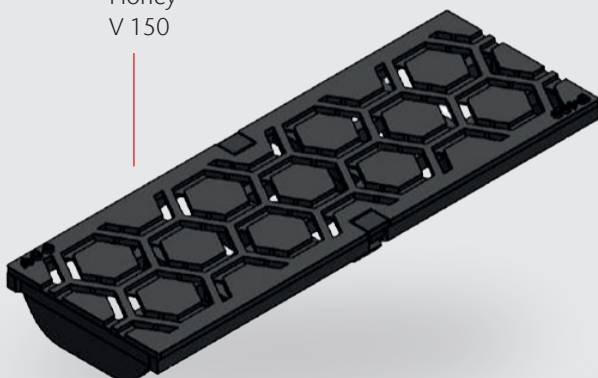
Pearl  
V 100, V 300



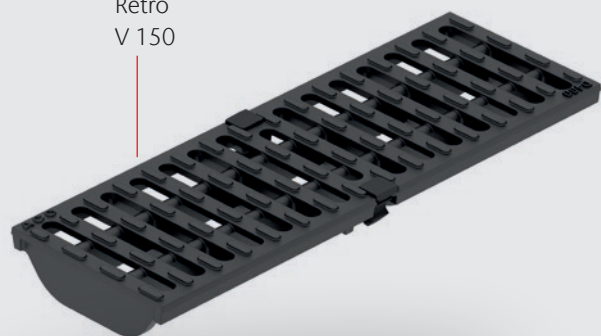
Buffalo  
V 100



Honey  
V 150



Retro  
V 150



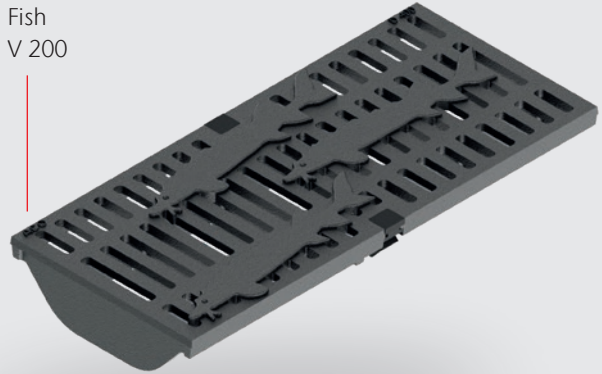


New freedom for linear drainage:  
ACO Freestyle cast iron gratings are  
designed according to your design  
specifications or you can benefit  
from the creativity of projects that  
have already been implemented!

Monoblock  
V 200



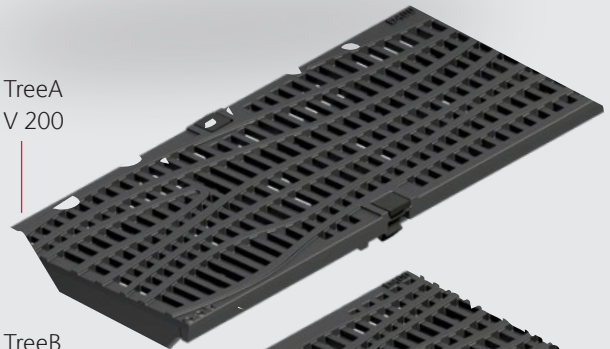
Fish  
V 200



DrainBow  
V 200



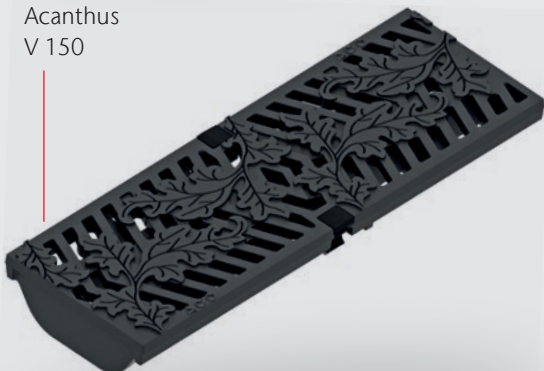
TreeA  
V 200



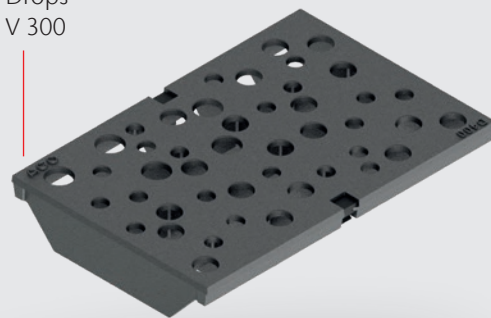
TreeB  
V 200



Acanthus  
V 150

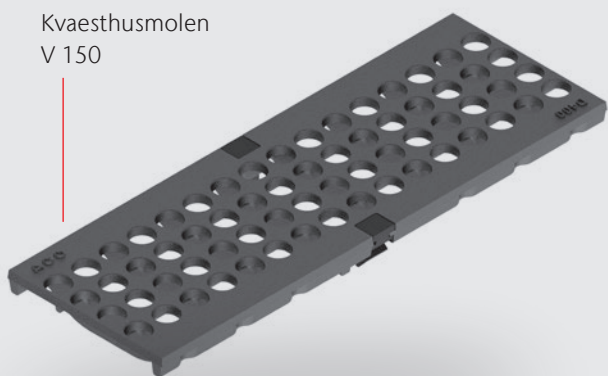


Drops  
V 300

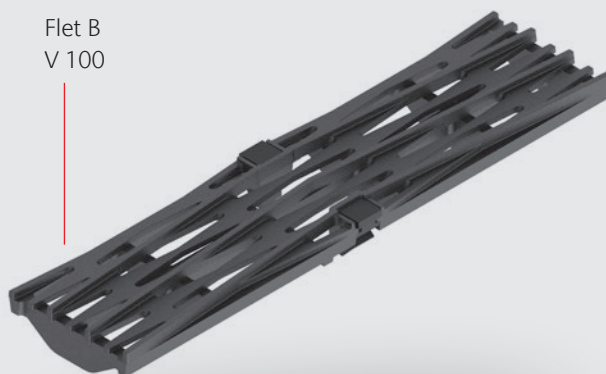




Kvaesthusmolen  
V 150



Flet B  
V 100



## Lettering, notices, company names, signposts

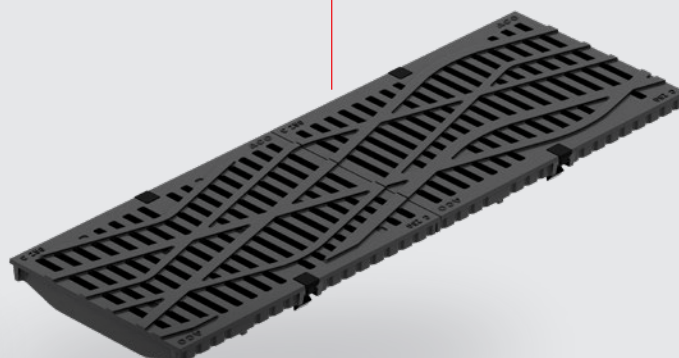
With the new innovative V 200 cover plate for ACO channels you can realise your inscription.

8

Letterplate  
V 200



Krakowski  
V 300

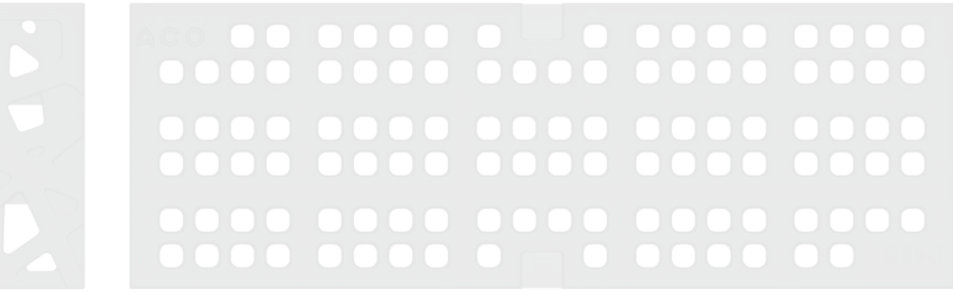


### NEW

A highlight in your driveway are the ACO 'Letterplate' cover plates with individual inscriptions.

As part of a larger order of Freestyle design gratings, we also offer these in a small series of 5 or more.





## Running Dog Gratings with Corner solutions

The successful landscape architect [Julie Kierkegaard](#) from Denmark has worked with ACO to complete the grate design popular in Scandinavia with matching corner modules to create an attractive range.

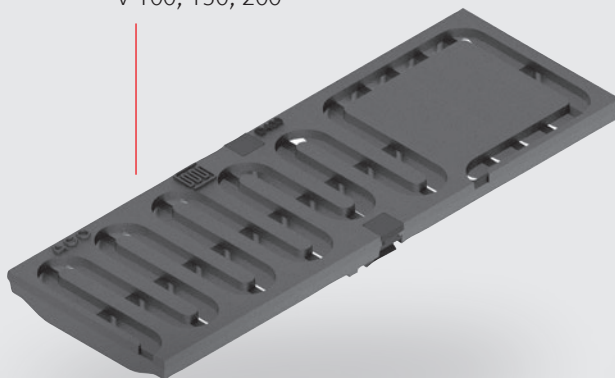
These elegant grates not only visually enhance your drainage system – the corners are also much easier for contractors to install. The system is usually available from stock.



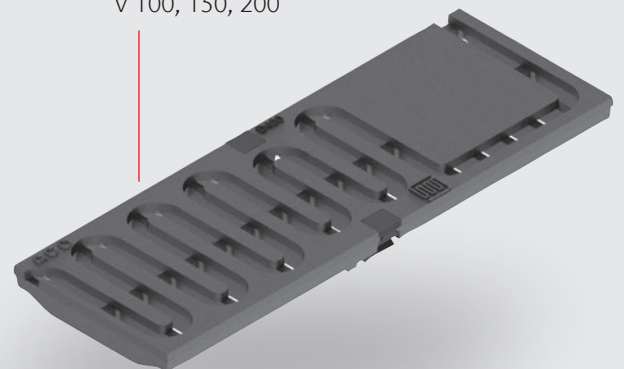
Running Dog  
V 100, 150, 200



Running Dog  
Corner dif. directions  
V 100, 150, 200



Running Dog  
Corner dif. directions  
V 100, 150, 200



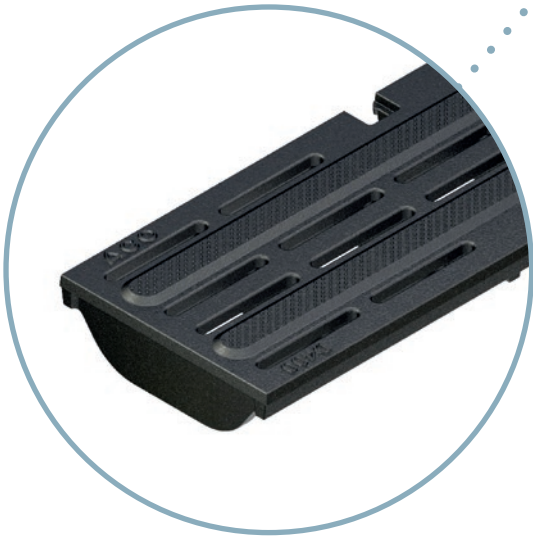
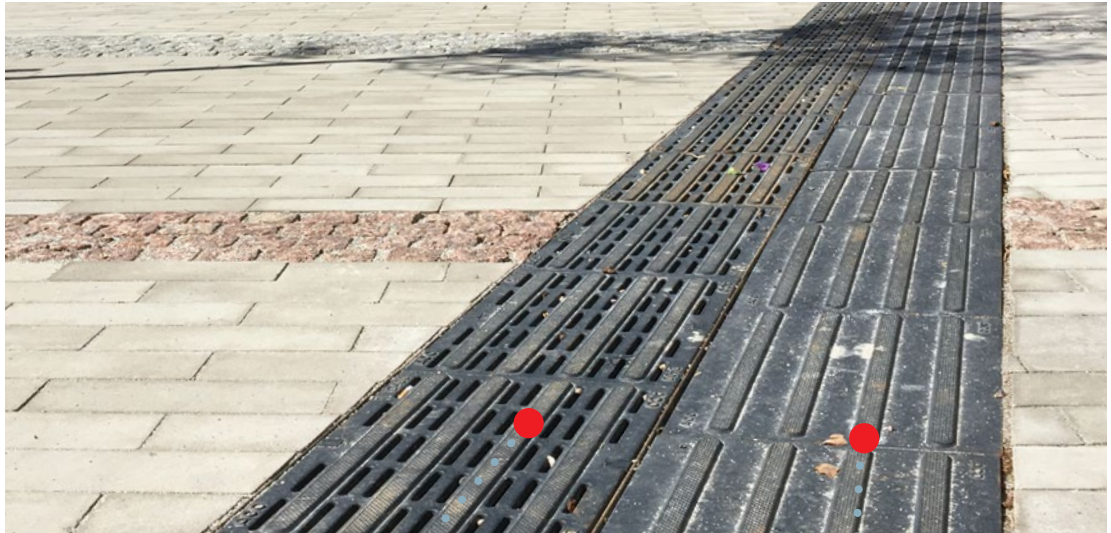
# ACO Blind Lead System

## ACO integrates drainage and blind guidance system

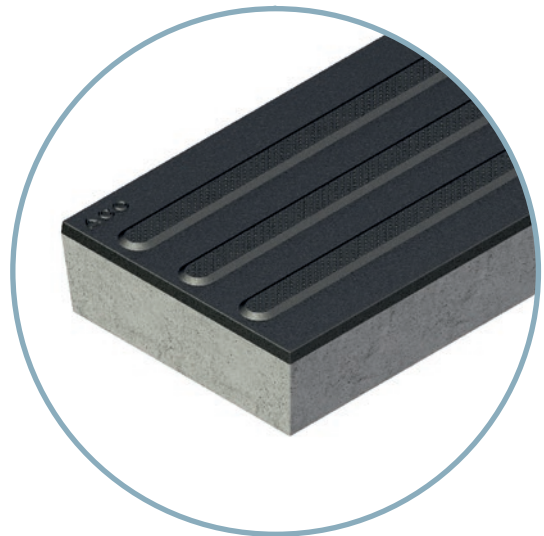
After the first generation of blind guidance systems, it was possible to apply the lines and dots required by the ISO standard to existing ACO gratings and stones (with design surfaces made of ductile cast iron) in cooperation with the Danish architect Kurth Brink-Brandenburg. The 'ACO Microgrip' anti-slip profile integrated here gives the blind guide gratings, stones and attention fields outstanding anti-slip properties.



In contrast to plastic or concrete surfaces, the robust ductile cast iron is ideally suited to create a durable, weather-resistant blind guidance system that can also withstand the strong mechanical loads during snow removal works.



ACO Blind Lead gratings



ACO Blind Lead bricks

## Gratings – Bricks – Attention Fields

The ACO Blind Lead System offers blind lead **blocks** in the same width as the **gratings** incl. frame.

The systems of nominal widths 100, 150, 200 and 300 are supplemented with square dotted stones for marking an **attention field**.

# Creativity in landscape architecture

ACO Freestyle cast iron gratings fulfil the desire according to individual solutions for exceptional linear drainage.

The unique design possibilities for cast iron gratings can, for example, express special features in pedestrian zones or promenades and highlight themes or events.

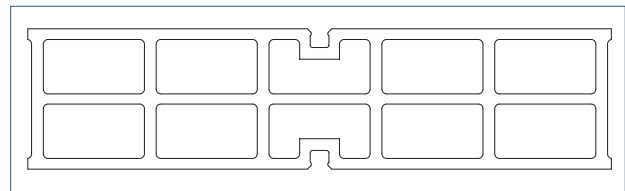
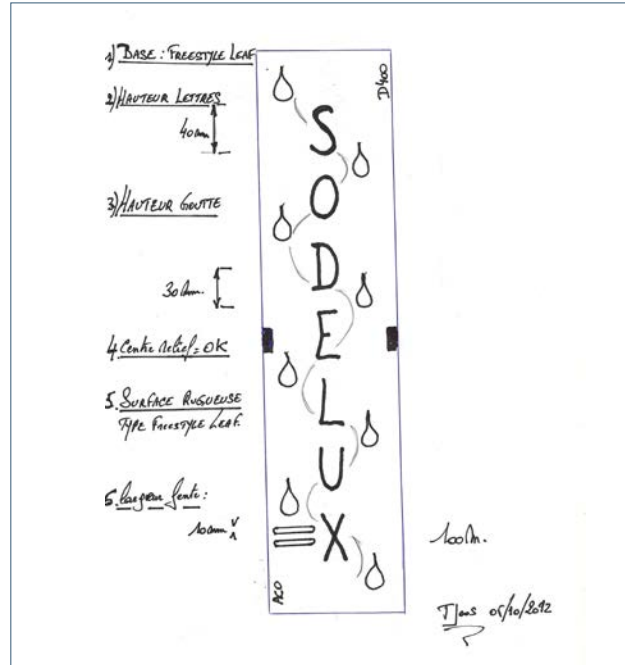
The development process is standardized. The production tool consists of two individual elements, the individual surface plate and the standard base.



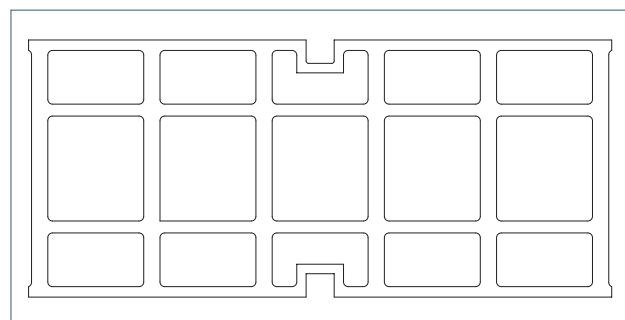
The only prerequisite is to have an idea. The gratings are then manufactured in the ACO foundry. You design – ACO takes care of the details!

## 1 Idea

Your design can be a drawing or already a CAD file.



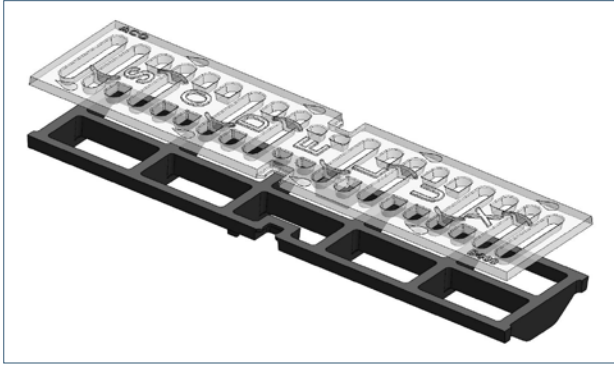
Shoring of the grate of nominal width 100 (500 x 123 mm)



Shoring of the grate of nominal width 200 (500 x 223 mm)

## 2 3D-Model

You can already develop the grate as a 3D model. As a basis, byou will gladly receive the corresponding basic data. Or ACO is developing the 3D model from your ideas.



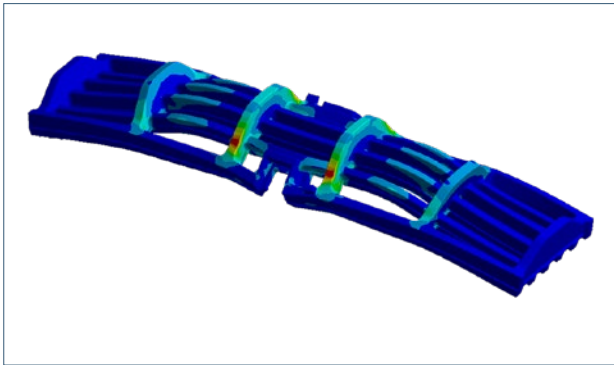
## 5 Casting

At ACO Guss foundry Kaiserslautern, Germany.



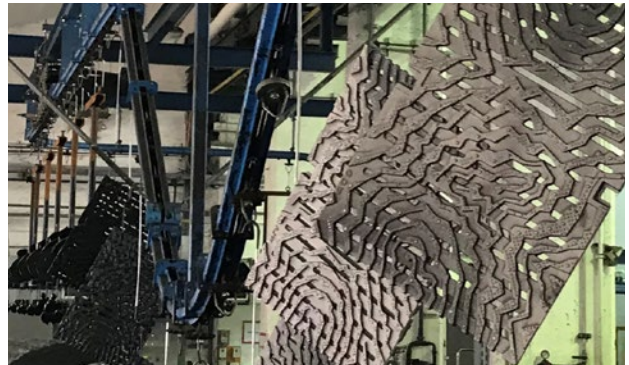
## 3 Design release

The new grate is then created or adapted by the development department. After the design release, the strength calculating starts and a casting simulation is done.



## 6 Surface protection

The standard surface protection is a waterbased colour.



## 4 Tool ordering

The production tools are manufactured.



## 7 Certification

The design grates are developed and tested based on the EN 1433 (and BSI UK). Due to the often smaller drainage area, Freestyle gratings cannot always be EN 1433 certified.



Beautiful surface solutions increase the value of your projects and delight customers and visitors. Whether with integrated lighting, non-slip surface or special solutions for corners. With FreeStyle, the ACO experts offer you the individuality, elegance or advanced functionality your project needs.

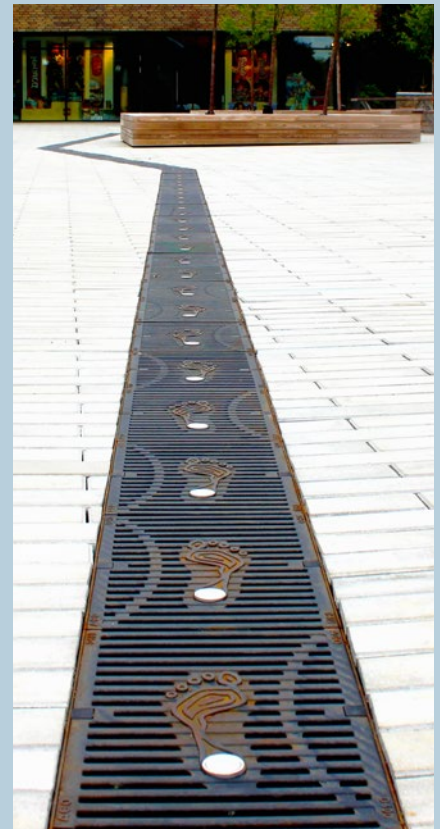
worldwide unique objects  
with ACO Freestyle



ACO Freestyle 'Fish'  
pedestrian zone Feldschmiede  
Itzehoe, Germany



ACO Freestyle 'Tree A' and 'Tree B'  
Belgium



ACO Freestyle 'ECCO'  
Headquarter ECCO Group  
Toosbuys Torv, Bredebro, Danmark



ACO Freestyle 'Renne'  
Market square, Geilo, Norway



ACO Freestyle 'Nature'  
Ekkersrijt Furniture Mall  
Son en Breugel, Netherlands

Every ACO product supports  
the ACO system chain



### ACO Passavant Detego GmbH

Scheidertalstr. 3  
65526 Aarbergen  
Tel. +49 6120 28 8126  
Fax +49 6120 28 6095  
cast-iron-team@aco.com

[www.aco-passavant-guss.de](http://www.aco-passavant-guss.de)  
[www.aco.com](http://www.aco.com)  
[www.aco-tiefbau.com](http://www.aco-tiefbau.com)

ACO. we care for water

