



ACO Access Cover

Fire Resistance (FR)

Product information

The ACO Access Covers Fire Resistance (FR) have been developed to provide a practical and safe access solution to underneath areas. In the event of fire, closing the ACO Access Covers resists fire to protect the area above the cover, thus significantly contributing to the protection of local areas and floors.

Fire resistance of ACO Access Covers (FR) is E120, EI₁45, EI₂45, up to EI₁120, EI₂120 depending on the ACO Access Cover (FR) product range.

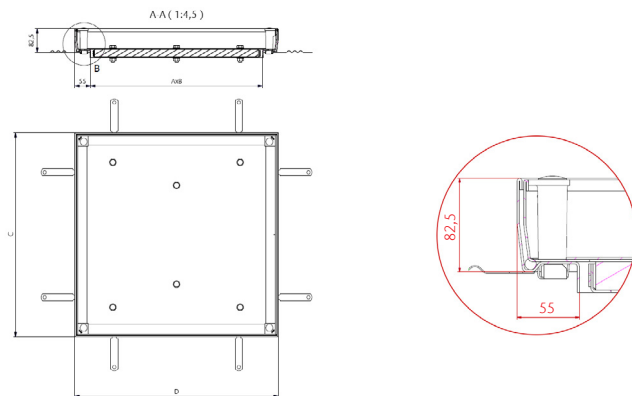
- The integrity of fire resistance has been performed and assessed by the authorised laboratory PAVUS a.s. (authorised body AO 216) according to EN 1634-1 + A1, EN 1363-1, ČSN 73 0810.
- The fire resistance classification of ACO Access Cover UNIFACE FR is declared by „Fire classification approval of fire resistance“.



ACO Access Cover UNIFACE GS/FR

Product information

- Fire resistance E120, EI₁120, EI₂120 (tested according to EN 1634-1 + A1, EN 1363-1, ČSN 73 0810) assured with a fire resistance equipment
- Covers are equipped by single seal, water and odour-tightness is not rated
- Application of concrete C35/45 in cover lid
- Other features on page 5



Order information

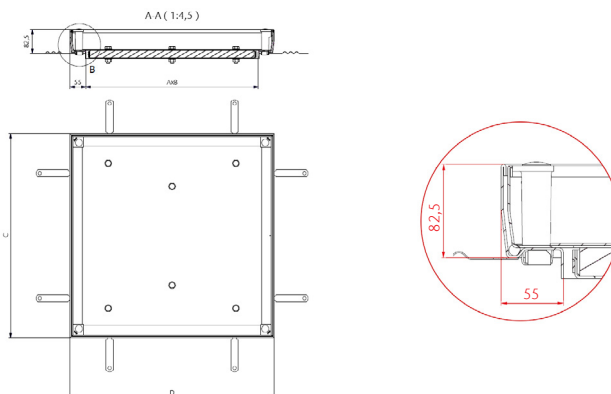
Clear opening (A x B)	External dimensions (C x D)	Frame height	Cover depth	Space for final floor	Load class (EN 1253)	Weight	EI	Part No. (1.0037)
[mm]	[mm]	[mm]	[mm]	[mm]		[kg]		
300 x 300	410 x 410	82,5	70	15	N250	10,9	EI120	447879
400 x 400	510 x 510	82,5	70	15	N250	14,9	EI120	447880
400 x 600	510 x 710	82,5	70	15	N250	19,3	EI120	447881
450 x 450	560 x 560	82,5	70	15	M125	17,4	EI120	447882
500 x 500	610 x 610	82,5	70	15	M125	19,6	EI120	447883
600 x 600	710 x 710	82,5	70	15	M125	25,2	EI120	447884
450 x 450	560 x 560	82,5	110	15	N250	17,6	EI120	447893
500 x 500	610 x 610	82,5	110	15	N250	19,8	EI120	447894
600 x 600	710 x 710	82,5	110	15	N250	25,4	EI120	447895



ACO Access Cover UNIFACE SS/FR

Product information

- Fire proof E120, EI₁20, EI₂120 (tested according to EN 1634-1 + A1, EN 1363-1, ČSN 73 0810) assured by fire resistance equipment
- Covers are equipped with a single seal, water and odour-tightness is not rated
- Application of concrete C35/45 in cover lid
- Other features on page 5



Order information

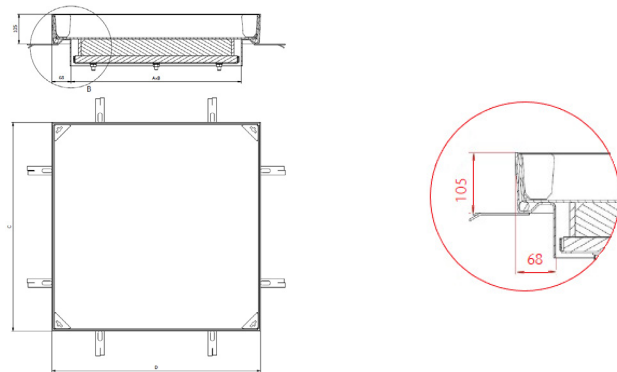
Clear opening (A x B)	External dimensions (C x D)	Frame height	Cover depth	Space for final floor	Load class (EN 1253)	Weight	EI	Part No. (1.4301)
[mm]	[mm]	[mm]	[mm]	[mm]		[kg]		
300 x 300	410 x 410	82,5	70	15	N250	10,9	EI20	447908
400 x 400	510 x 510	82,5	70	15	N250	14,9	EI20	447909
400 x 600	510 x 710	82,5	70	15	N250	19,3	EI20	447910
450 x 450	560 x 560	82,5	70	15	M125	17,4	EI20	447911
500 x 500	610 x 610	82,5	70	15	M125	19,6	EI20	447912
600 x 600	710 x 710	82,5	70	15	M125	25,2	EI20	447913
600 x 800	710 x 910	82,5	70	15	M125	33,2	EI20	447914
600 x 1000	710 x 1110	82,5	70	15	M125	39,7	EI20	447915
635 x 635	745 x 745	82,5	70	15	L15	29,2	EI20	447917
700 x 700	810 x 810	82,5	70	15	L15	33,6	EI20	447918
800 x 800	910 x 910	82,5	70	15	L15	41,3	EI20	447919
800 x 1000	910 x 1110	82,5	70	15	L15	49,4	EI20	447920
1000 x 1000	1110 x 1110	82,5	70	15	L15	59,1	EI20	447921
450 x 450	560 x 560	82,5	110	15	N250	17,6	EI20	447922
500 x 500	610 x 610	82,5	110	15	N250	19,8	EI20	447923
600 x 600	710 x 710	82,5	110	15	N250	25,4	EI20	447924
600 x 800	710 x 910	82,5	110	15	N250	33,9	EI20	447925
600 x 1000	710 x 1110	82,5	110	15	N250	40,9	EI20	447926
635 x 635	745 x 745	82,5	110	15	M125	29,3	EI20	447927
700 x 700	810 x 810	82,5	110	15	M125	34,1	EI20	447928
800 x 800	910 x 910	82,5	110	15	M125	42	EI20	447929
800 x 1000	910 x 1110	82,5	110	15	M125	47,2	EI20	447930
1000 x 1000	1110 x 1110	82,5	110	15	M125	60,1	EI20	447931
635 x 635	745 x 745	82,5	140	15	N250	30,3	EI20	447932
700 x 700	810 x 810	82,5	140	15	N250	35,1	EI20	447933
800 x 800	910 x 910	82,5	140	15	N250	43	EI20	447934
800 x 1000	910 x 1110	82,5	140	15	N250	43,3	EI20	447935
1000 x 1000	1110 x 1110	82,5	140	15	N250	61,1	EI20	447936



ACO Access Cover PAVING GS 80/FR

Product information

- Fire resistance E120, EI₁45, EI₂45 (tested according to EN 1634-1 + A1, EN 1363-1, ČSN 73 0810) assured by fire resistance equipment
- Other features on page 13



Order information

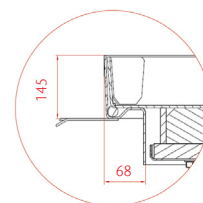
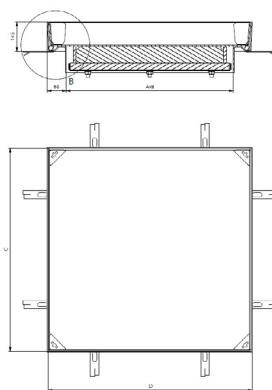
Clear opening (A x B)	External dimensions (C x D)	Frame height	Cover depth	Load class (EN 124)	Weight	EI	Part No.
[mm]	[mm]	[mm]	[mm]		[kg]		
400 x 400	536 x 536	104	80	A15	24,6	EI45	447992
500 x 500	636 x 636	104	80	A15	31,5	EI45	447993
600 x 600	736 x 736	104	80	A15	32,2	EI45	447994
400 x 600	536 x 736	104	80	A15	40,5	EI45	447995
400 x 400	536 x 536	104	80	B125	33,9	EI45	448003
500 x 500	636 x 636	104	80	B125	43,1	EI45	448004
600 x 600	736 x 736	104	80	B125	53,0	EI45	448005
400 x 600	536 x 736	104	80	B125	42,5	EI45	448010
400 x 400	536 x 536	104	80	C250	48,7	EI45	448013
500 x 500	636 x 636	104	80	C250	65,0	EI45	448014
600 x 600	736 x 736	104	80	C250	78,4	EI45	448015
400 x 600	536 x 736	104	80	C250	62,2	EI45	448020
400 x 400	536 x 536	104	80	D400	47,3	EI45	448022
500 x 500	636 x 636	104	80	D400	66,6	EI45	448023
600 x 600	736 x 736	104	80	D400	88,9	EI45	448024



ACO Access Cover PAVING GS 120/FR

Product information

- Fire resistance E120, EI₁₄₅, EI₂₄₅ (tested according to EN 1634-1 + A1, EN 1363-1, ČSN 73 0810) assured by fire resistance equipment
- Other features on page 14



Order information

Clear opening (A x B)	External dimensions (C x D)	Frame height	Cover depth	Load class (EN 124)	Weight	EI	Part No.
[mm]	[mm]	[mm]	[mm]		[kg]		
400 x 400	539 x 539	144	120	B125	38,7	EI45	448030
500 x 500	639 x 639	144	120	B125	48,8	EI45	448031
600 x 600	739 x 739	144	120	B125	59,5	EI45	448032
400 x 400	539 x 539	144	120	C250	54,1	EI45	448038
500 x 500	639 x 639	144	120	C250	71,3	EI45	448039
600 x 600	739 x 739	144	120	C250	85,7	EI45	448040
400 x 600	539 x 739	144	120	B125	48,2	EI45	448045
400 x 600	539 x 739	144	120	C250	68,7	EI45	448047
400 x 400	539 x 539	144	120	D400	53,4	EI45	448049
500 x 500	639 x 639	144	120	D400	73,9	EI45	448050
600 x 600	739 x 739	144	120	D400	97,3	EI45	448051

Gas Spring Set - Spare Parts

PAVING ASSIST GS80

part no. Cover	part no. GS (1.0037)
414504	414569
414505	414570
414506	414571
414507	414572
414508	414573
414509	414574
414510	414575
414512	414576
414513	414577
414514	414578
414515	414579
414516	414580
414517	414581
414518	414582
414520	414583
414521	414584
414522	414585
414523	414586
414524	414587
414525	414588
414526	414589
445624	414583
445625	414584
445626	414585
445627	414586
445628	414587
445629	446316
445630	446317

PAVING ASSIST GS120

part no. Cover	part no. GS (1.0037)
445631	446691
445632	446692
445633	446693
445634	446694
445635	446695
445636	446696
445637	446697

SOLID ASSIST GS/SS

part no. Cover	part no. GS (1.0037)	part no. SS (1.4301)
415205	445520	
415206	445521	
415207	445522	
415208	445523	
415209	445524	
415210	445525	
415211	445526	
415212	445527	
415213	445528	
415214	445529	
415215	445530	
415216	445531	
415217		445532
415218		445533
415219		445534
415220		445535
415221		445536
415222		445537
415223		445538
415224		445539
415225		445540
415226		445541
415227		445542
415228		445543
445721	446486	
445723	446488	
445725	446490	
445727	446492	
445730	446495	
445732	446497	
445734	446499	
445736	446501	
445738	446503	
445740	446505	
445742	446507	
445744	446509	
445722		446487
445724		446489
445726		446491
445728		446493
445729		446494
445731		446496

SOLID ASSIST GS/SS

part no. Cover	part no. GS (1.0037)	part no. SS (1.4301)
445733		446498
445735		446500
445737		446502
445739		446504
445741		446506
445743		446508

UNIFACE ASSIST GS/SS

part no. Cover	part no. GS (1.0037)	part no. SS (1.4301)
406537	409844	
406538	409845	
406539	409846	
406540	409847	
406541	409848	
406542	409849	
406543	409850	
406544	409851	
408713	409853	
414951	414997	
406529		409836
406530		409837
406531		409838
406532		409839
406533		409840
406534		409841
406535		409842
406536		409843
408712		409852
414950		414996
445684	446140	
445686	446142	
445688	446144	
445690	446146	
445692	446148	
445694	446150	
445754	446152	
445685		446141
445687		446143
445689		446145
445691		446147
445693		446149
445695		446151
445755		446153

