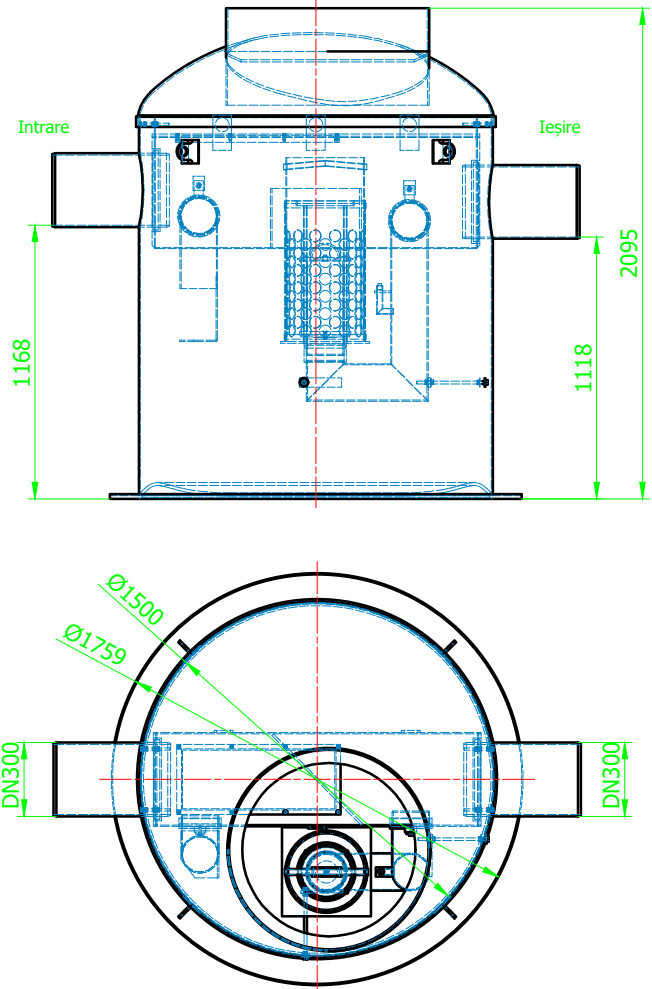
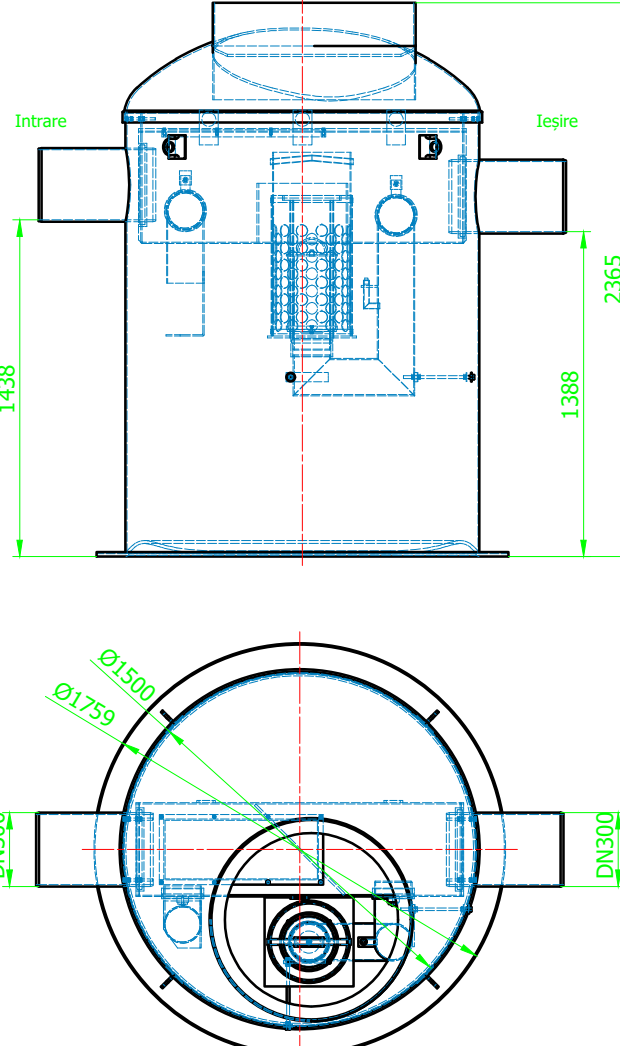
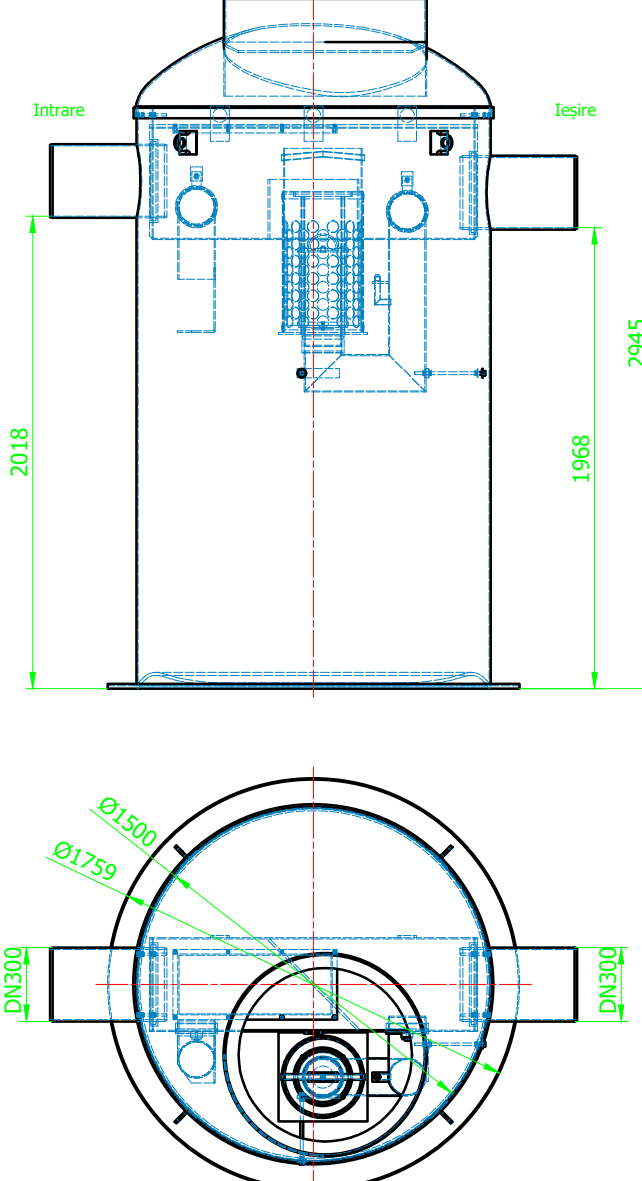



Oleopator-bypass 8/80/800	Oleopator-bypass 8/80/1600	Oleopator-bypass 8/80/2400
<p>Art. no. <b>12544.41</b></p> 	<p>Art. no. <b>12545.41</b></p> 	<p>Art. no. <b>12546.41</b></p> 
<p>Numele sistemului: ACO Oleopator G by-pass</p>		
<p>Denumirea plansei: ACO Oleopator G by-pass - clasa de sarcini A15 - D400</p>	<p>Data: 03/2021</p>	
<p>Nume fisier: Oleopator G by-pass NS8/80.dwg</p>	<p>Revizia nr. 0</p>	
<p>Caracteristici tehnice</p> <p>Instalatie de separare lichide usoare, din plastic armat cu fibra de sticla, prevazut cu instalatie de by-pass, conform SR EN 858.</p> <p>Instalatie de separare prevazuta cu: element de coalescenta demontabil, flotor de siguranta, racord prelevare probe, elemente interne din PEHD.</p>	<p>Desenat</p>	<p>Monica Andreescu</p> <p><b>ACO srl</b></p> <p>Departamentul tehnic</p> <p>www.aco.ro                      tehnic@aco.ro</p>