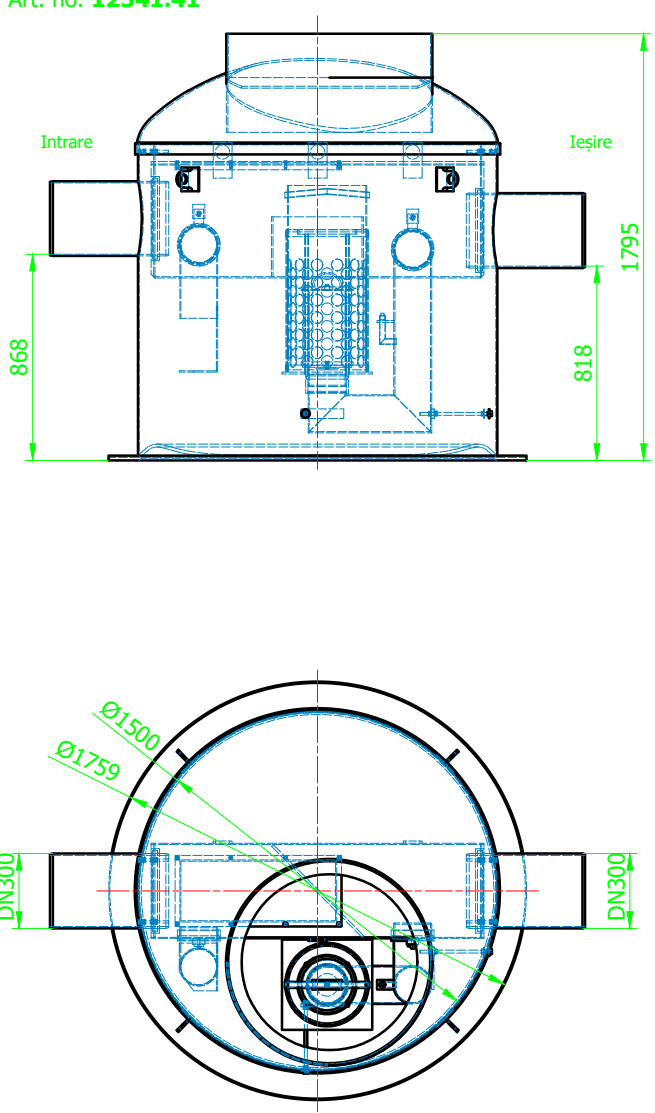
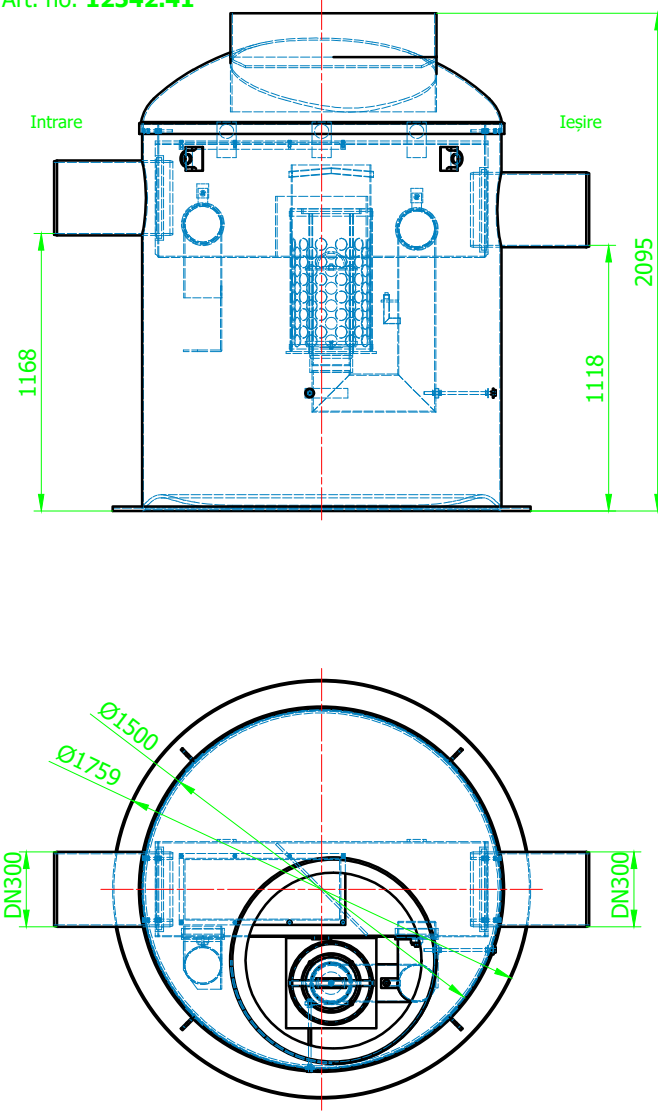
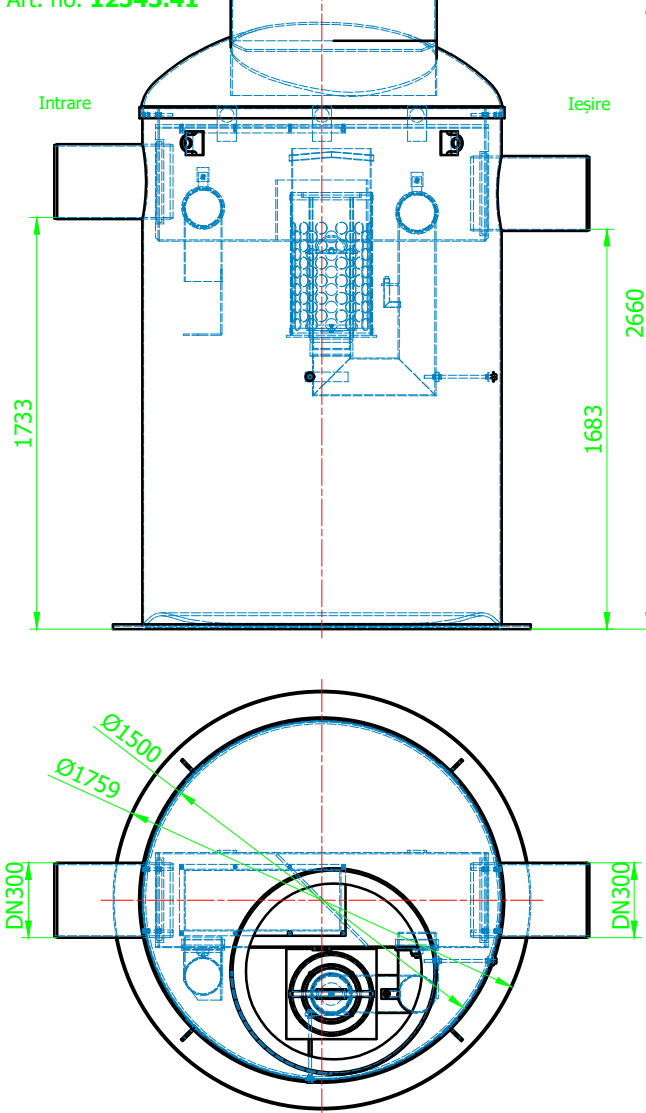



Oleopator-bypass 6/60/600	Oleopator-bypass 6/60/1200	Oleopator-bypass 6/60/1800
<p>Art. no. 12541.41</p> 	<p>Art. no. 12542.41</p> 	<p>Art. no. 12543.41</p> 
<p>Numele sistemului: ACO Oleopator G by-pass</p>	<p>Scara: 1:10</p>	
<p>Denumirea plansei: ACO Oleopator G by-pass - clasa de sarcini A15 - D400</p>	<p>Data: 03/2021</p>	
<p>Nume fisier: Oleopator G by-pass NS6/60.dwg</p>	<p>Revizia nr. 0</p>	
<p>Caracteristici tehnice</p> <p>Instalatie de separare lichide usoare, din plastic armat cu fibra de sticla, prevazut cu instalatie de by-pass, conform SR EN 858.</p> <p>Instalatie de separare prevazuta cu: element de coalescenta demontabil, flotor de siguranta, racord prelevare probe, elemente interne din PEHD.</p>	<p>Desenat</p>	<p>Monica Andreescu</p> <p>ACO srl</p> <p>Departamentul tehnic</p> <p>www.aco.ro tehnic@aco.ro</p>