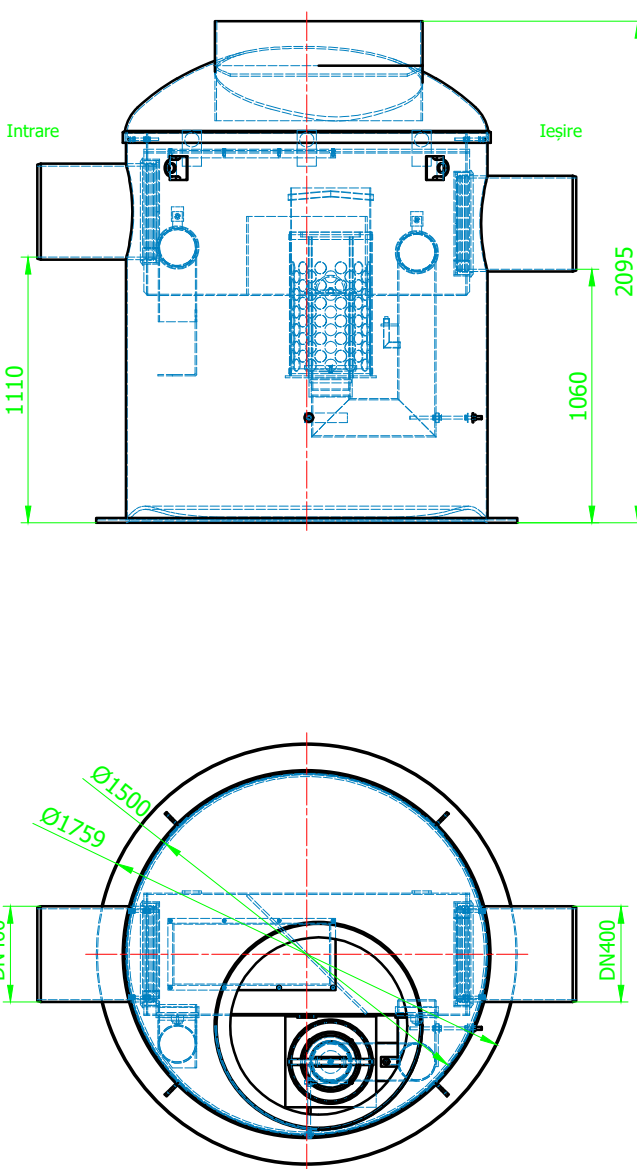
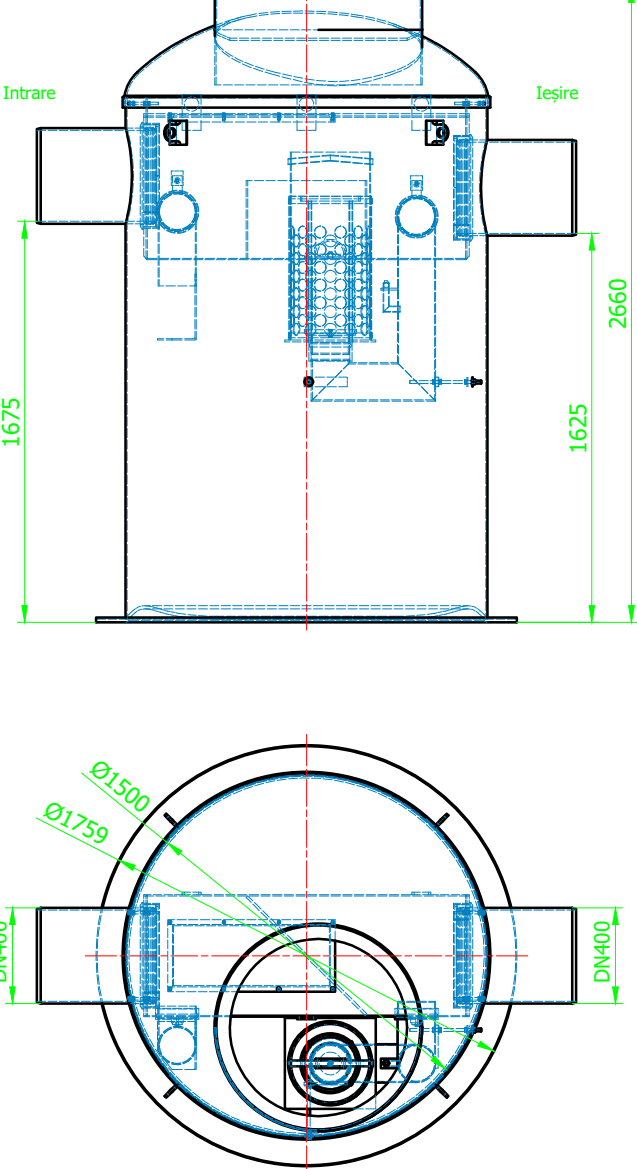
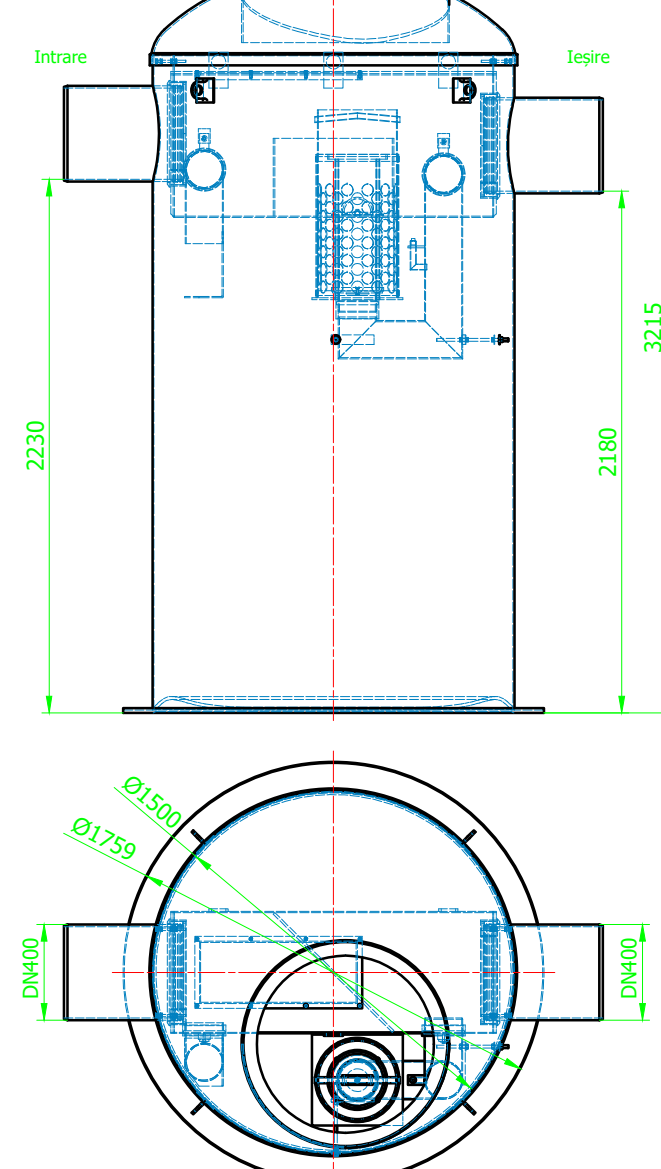



| Oleopator-bypass 10/100/1000 | Oleopator-bypass 10/100/2000 | Oleopator-bypass 10/100/3000 |
|--|--|--|
| <p>Art. no. 12547.41</p>  | <p>Art. no. 12548.41</p>  | <p>Art. no. 12549.41</p>  |
| <p>Numele sistemului: ACO Oleopator G by-pass</p> | |  |
| <p>Denumirea plansei: ACO Oleopator G by-pass - clasa de sarcini A15 - D400</p> | <p>Data: 03/2021</p> | |
| <p>Nume fisier: Oleopator G by-pass NS10/100.dwg</p> | <p>Revizia nr. 0</p> | |
| <p>Caracteristici tehnice</p> <p>Instalatie de separare lichide usoare, din plastic armat cu fibra de sticla, prevazut cu instalatie de by-pass, conform SR EN 858.</p> <p>Instalatie de separare prevazuta cu: element de coalescenta demontabil, flotor de siguranta, racord prelevare probe, elemente interne din PEHD.</p> | <p>Desenat</p> | <p>Monica Andreescu</p> <p>ACO srl</p> <p>Departamentul tehnic</p> <p>www.aco.ro tehnic@aco.ro</p> |